

## Flanged Linear Actuator Connectors

Aluminum / Stainless Steel, with 2 Mounting Holes

### SPECIFICATION

#### Identification No.

No. **2**: With stainless steel socket cap screw DIN 912

#### Version in Aluminum

Aluminum  
Powder coated  
Black, RAL 9005, textured finish **SW**

#### Version in Stainless Steel

- Stainless steel AISI CF-8 **NI**
- Matte shot-blasted

Sleeve bearing  
Plastic (PTFE)

Socket cap screws DIN 912  
Stainless steel AISI 304

Hex nuts DIN 985  
Stainless steel AISI 304  
Self-locking via polyamide ring



### INFORMATION

Flanged linear actuator connectors GN 145.1 are based on flanged connector clamps. The additionally provided mounting holes are used to connect to the drive key of a linear actuator. Bores with the designation **G** are equipped with sleeve bearings.

With the screw location **z**, the play of the guide bores  $d_1$  can be adjusted or the linear actuator connectors can be clamped after adjustment.

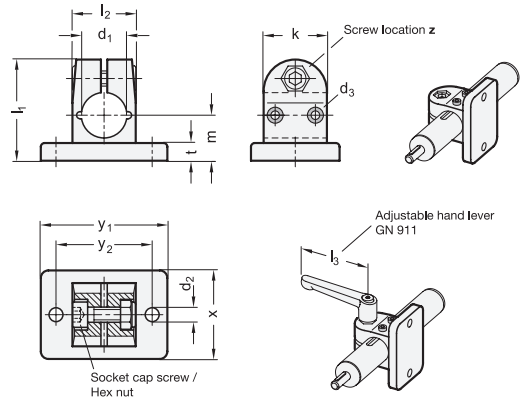
For quick clamping without tools, the socket cap screw can be replaced by the adjustable hand levers GN 911 (see page 1874) / GN 911.3 (see page 1875) listed in the table as accessories.

### ACCESSORY

- Adjustable Hand Levers GN 911 (see page 1874) / GN 911.3 (see page 1875)

### TECHNICAL INFORMATION

- Stainless Steel Characteristics (see page A26)
- Plastic Characteristics (see page A2)



### GN 145.1-AL

Description	$d_1$		$d_2$	$d_3$	$k$	$l_1$	$l_2$	$m$	$t$	$x$	$y_1$	$y_2$	$z$ Screw location	Accessory Recom. hand lever GN 911 for $z$ l3	⚖️
	Bore without sleeve bearing	Bore with sleeve bearing													
GN 145.1-G18-2-SW	-	G 18	5.5	M 3	25	40	25	18	7	35	50	38	M6-20	45	57
GN 145.1-B18-2-SW	B 18	-	5.5	M 3	25	40	25	18	7	35	50	38	M6-20	45	60

### GN 145.1-NI

Description	$d_1$		$d_2$	$d_3$	$k$	$l_1$	$l_2$	$m$	$t$	$x$	$y_1$	$y_2$	$z$ Screw location	Accessory Recom. hand lever GN 911 for $z$ l3	⚖️
	Bore with sleeve bearing														
GN 145.1-G18-2-NI	G 18		5.5	M 3	25	40	25	18	7	35	50	38	M6-20	63	145

**STAINLESS STEEL**